

ZOB35602XK Built-in Oven



Get more from your Multiplus oven at any cooking level

The Multiplus oven with ring element offers the ideal cooking function for any recipe, and its even heat distribution system lets you cook on several levels at once.



An easy way to make sure your food is ready when you want it to be

Thanks to this oven's timer function, you can easily make sure your food will be ready on time for serving.



Faster traditional grilling and browning

This dual grill is the perfect feature for making anything from crispy ribs to breakfast toast. It achieves traditional grilling and browning in less time.

More Benefits :

- Bottom heat oven feature for greater versatility
- Smooth enamel interior for less grime and an easier clean
- Extra-large capacity and extra shelf levels for added flexibility

Features :

- Built-in oven
- Multifunctional oven with ring heating element
- Oven cavity with 3 baking levels
- Halogen oven lighting
- High gloss enamel oven lining, easy to clean
- Easy to clean door
- Cooling fan
- Electric cable length: 1.6 m

Technical Specs :

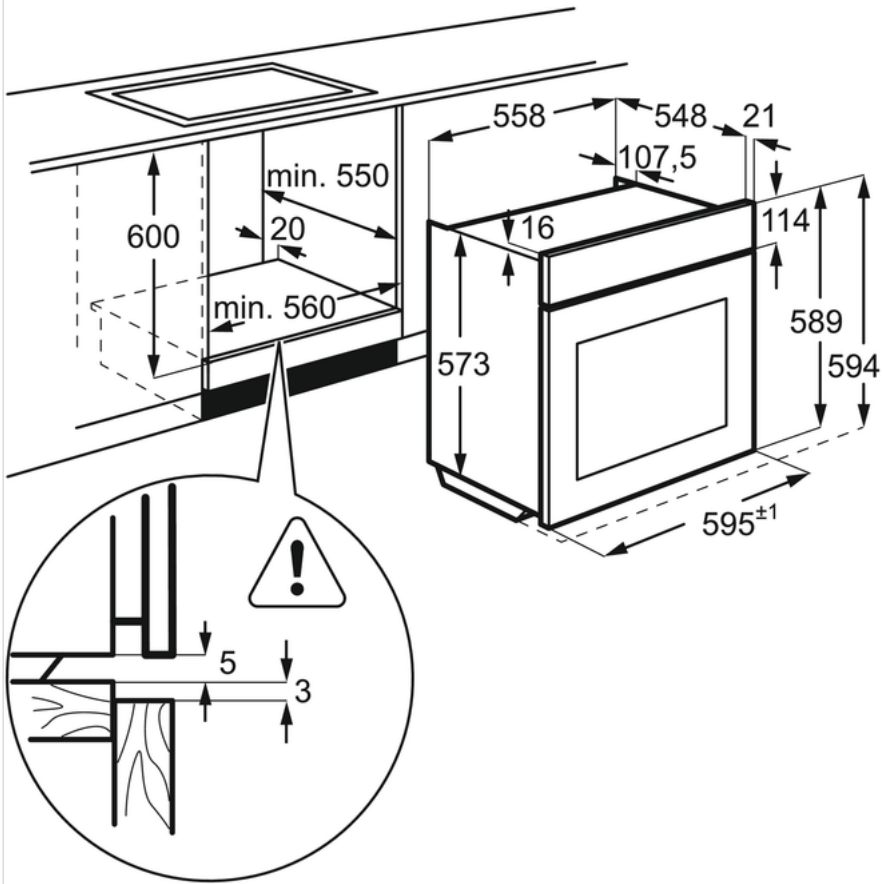
- BI dimensions HxWxD in mm : 600x560x550
- Cab space : 72
- Color : Stainless Steel With Antifingerprint
- Plug : No
- Cord Length : 1.6
- Max Power : 2790
- Voltage : 230
- Required Fuse : 16
- Height (mm) : 594
- Width (mm) : 594
- Depth (mm) : 568

Product Description :

60cm 9 cooking programs PNC 949 716 295

ZOB35602XK Built-in Oven

PSGBOV170DE0000Z



PSGBOV170DE0000W

